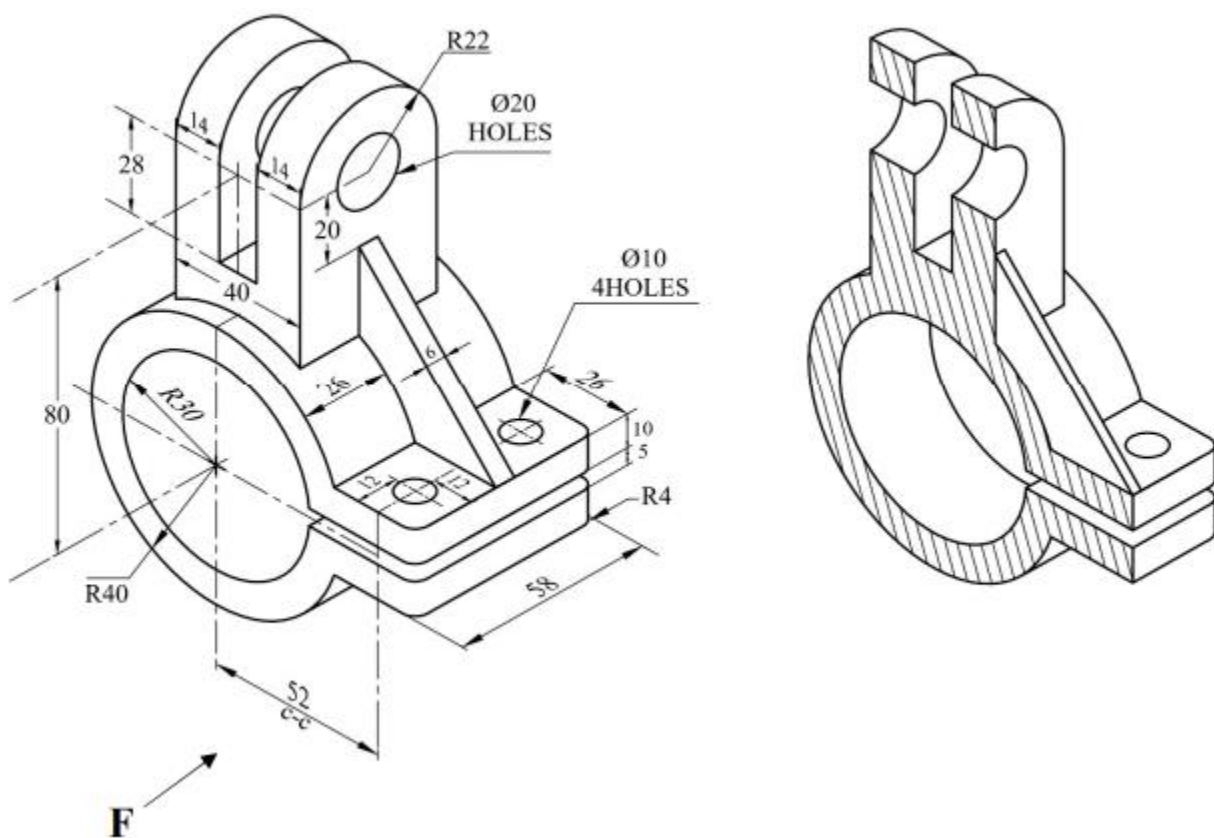


**University of Jordan/ School of Engineering**  
**Mechanical Engineering Department**  
**Final AutoCAD Exam/ 29-5-2021**

**Time: 12:00 To 13:10 (70 minutes)**

**Problem 1 (15 points)**

- a. Draw the following 3D solid and use one layer for each of the following: (3D solid, Hatch line, Text, and Dimension lines).
- b. Write on the screen: Student Name, Registration Number and Department.
- c. Copying the figure and make a slice to obtain the full front sectional view pass through the mid of the web, keep and hatch the back.
- d. Add all dimensions as shown in the Figure.



University of Jordan/ School of Engineering  
Mechanical Engineering Department  
Final AutoCAD Exam/ 29-5-2021

**Problem 2 (10 points)**

For the given orthographic views, construct (to-scale) a 3D-Solid by AutoCAD.

