

University of Jordan
Mechanical Engineering Department
Engineering Drawing & Descriptive Geometry

AutoCAD Manual Exam

Section (2)

Student Name: _____

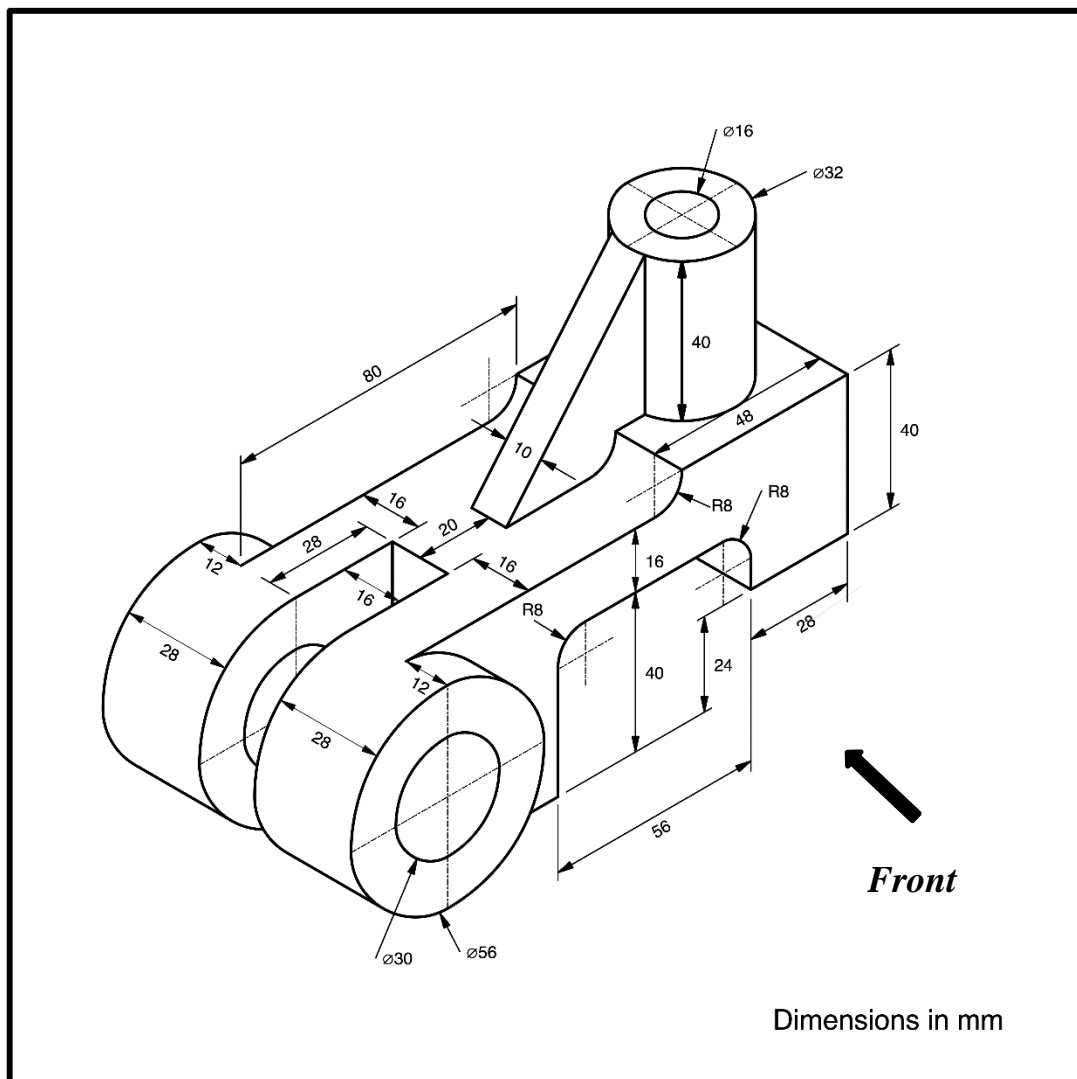
File No. _____

Problem (1): Draw the following 3D solid

(15 Points)

Use one layer for each of the following: (3D solid, Hatch line, Text, and Dimension lines). **(1 Points)**

- a. Write your Name, Reg. No, and Department. **(1 Points)**
- b. Make a slice to obtain the full front sectional view (on a copy of the Figure), keep and hatch the back. **(2 Points)**
- c. Add all dimensions as shown in the Figure. **(3 Points)**



Problem (2): For the given front and Top views, construct a 3D-Solid.

(10 Points)

