

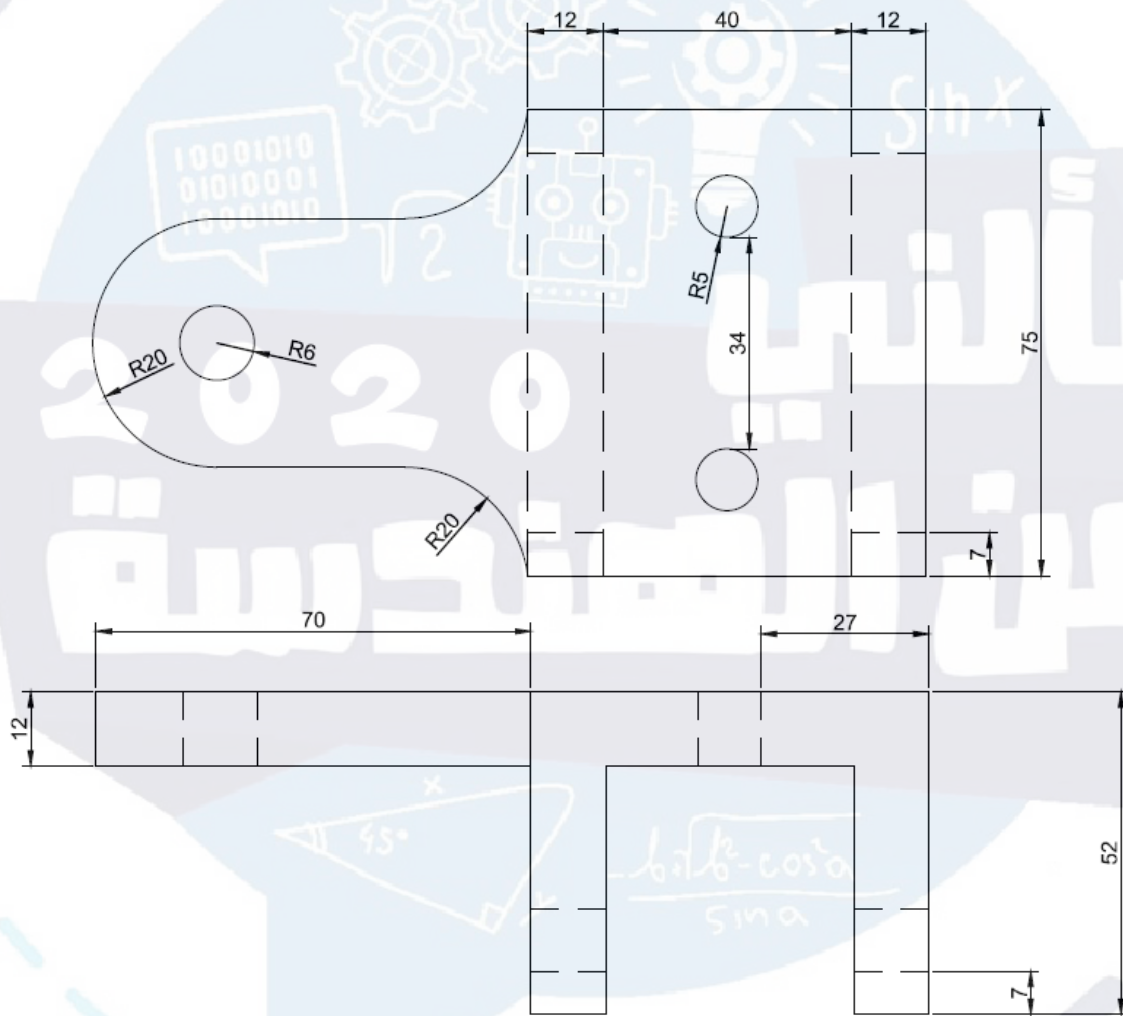
Student name: _____

ID No. _____

Section No. _____

Q1 :) For the following views, draw a pictorial sketch.

(10 Points)



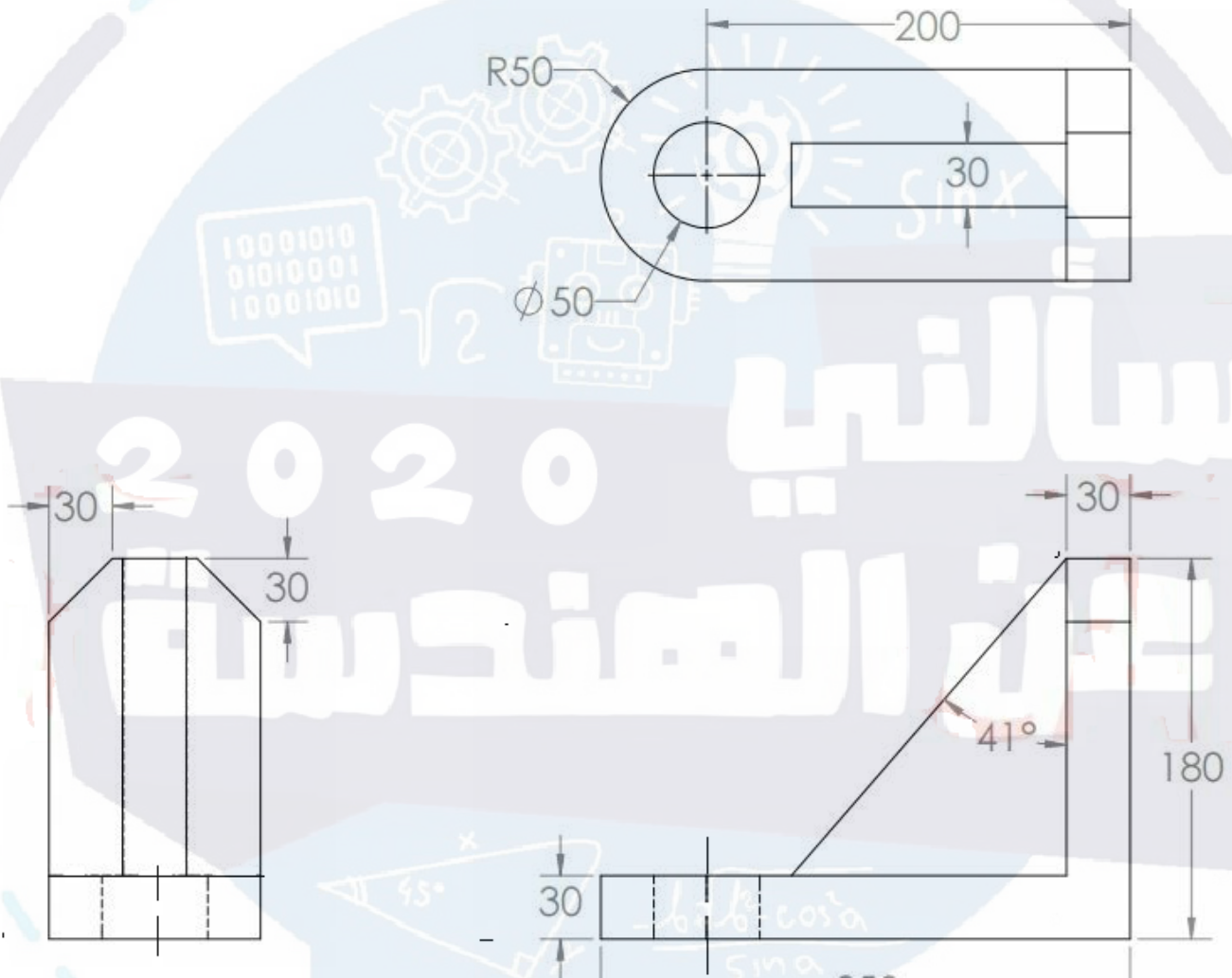
Student name: _____

ID No. _____

Section No. _____

Q1 :) For the following views, draw a pictorial sketch.

(10 Points)



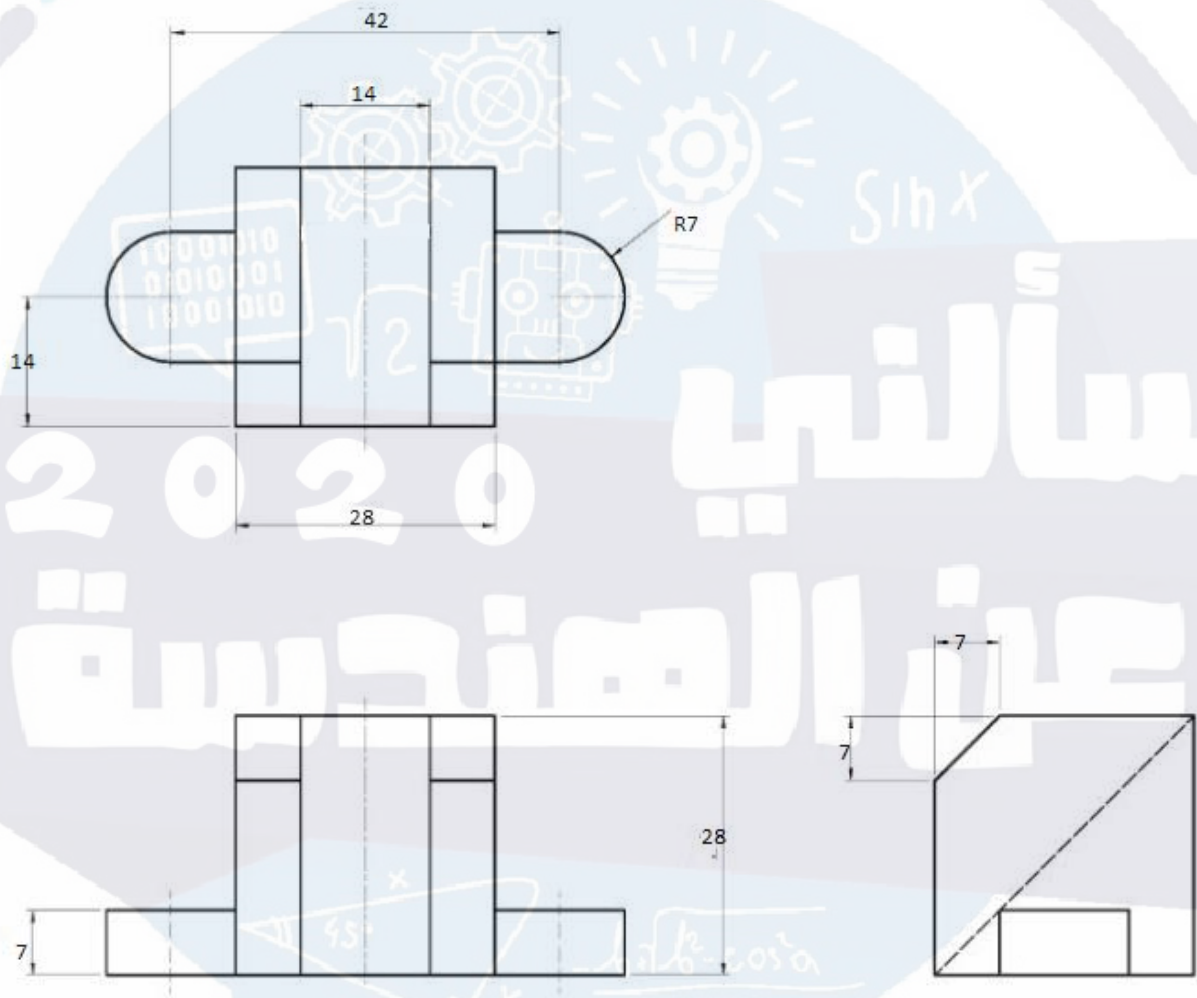
Student name: _____

ID No. _____

Section No. _____

Q1 :) For the following views, draw a pictorial sketch.

(10 Points)



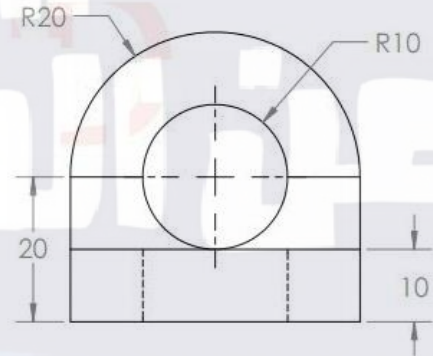
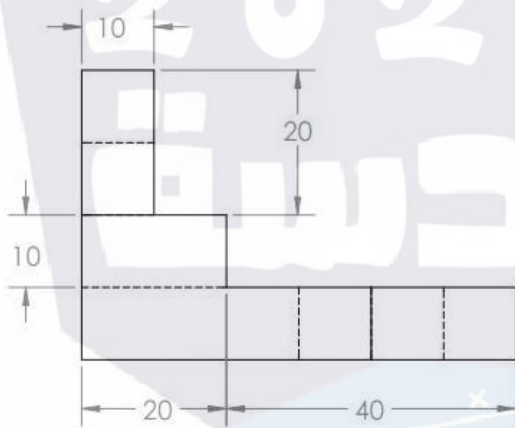
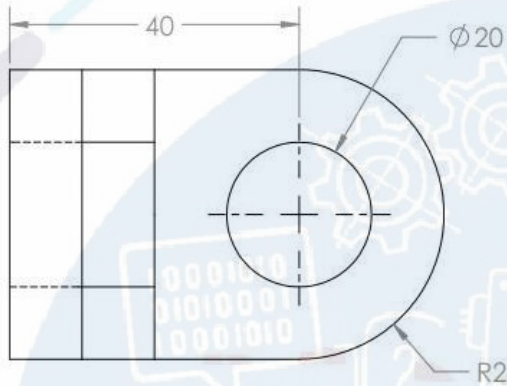
Student name: _____

ID No. _____

Section No. _____

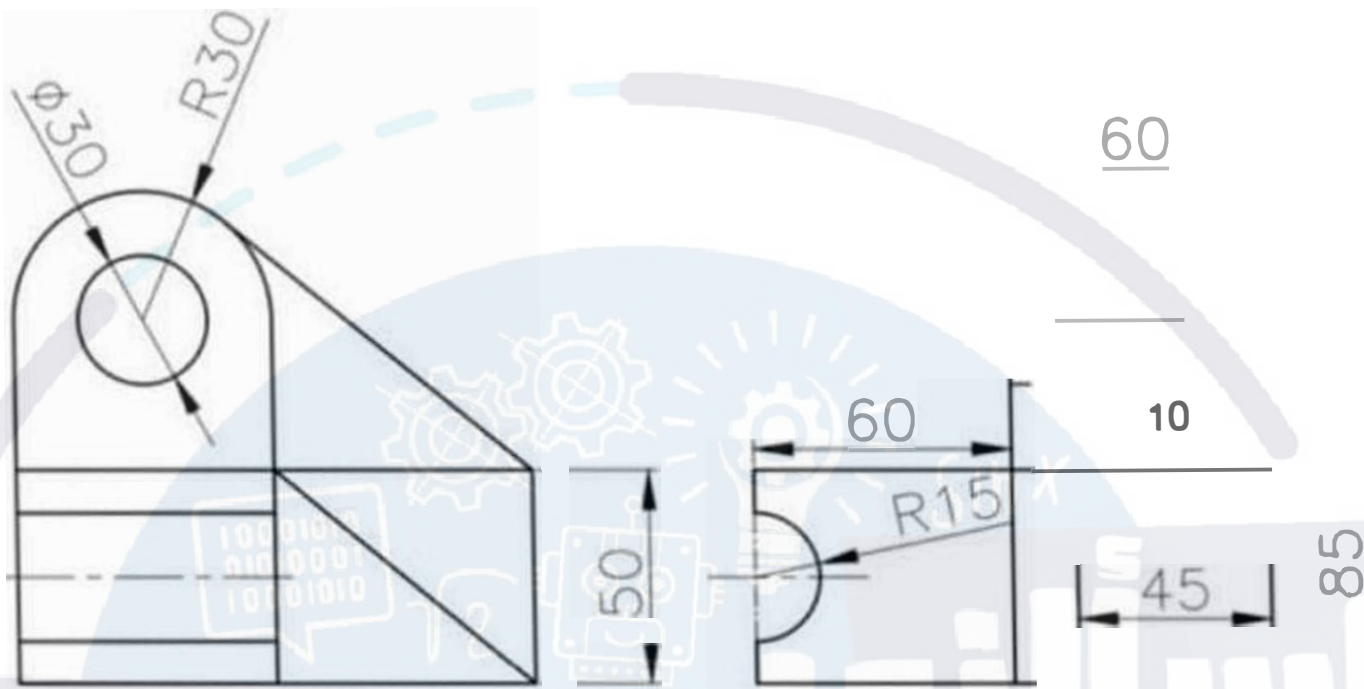
Q1 :) For the following views, draw a pictorial sketch.

(10 Points)



Problem (2): For the given views, construct the pictorial 3D-Solid.

(10Points)



Front View

Right Side View

2020

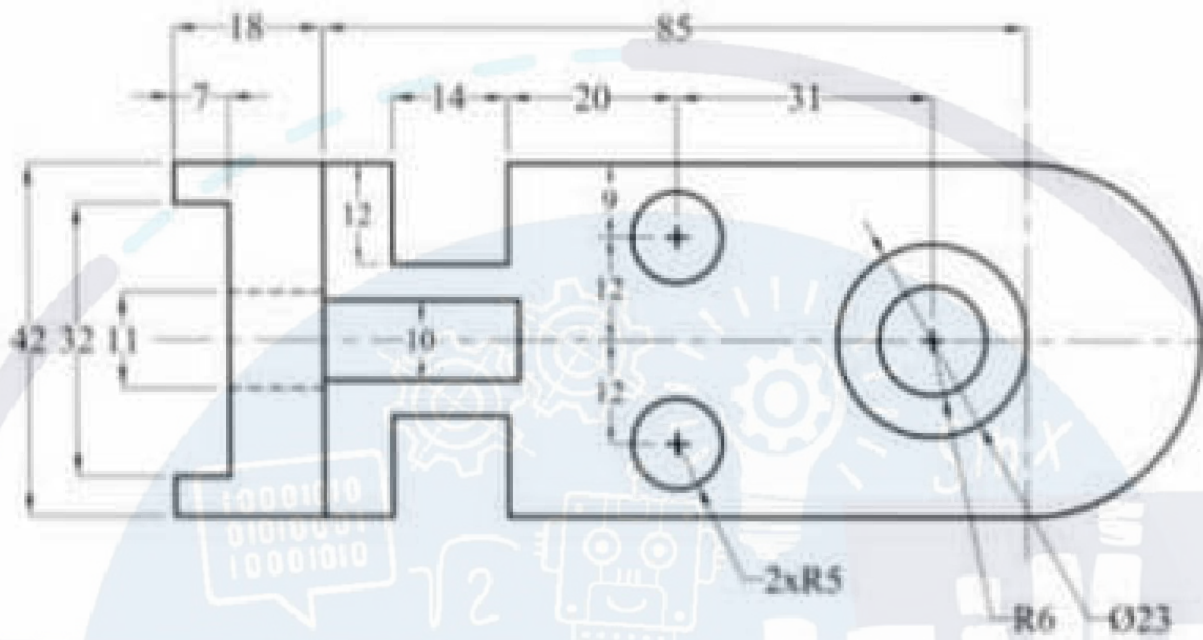
اساتذتي
عن الهندسة



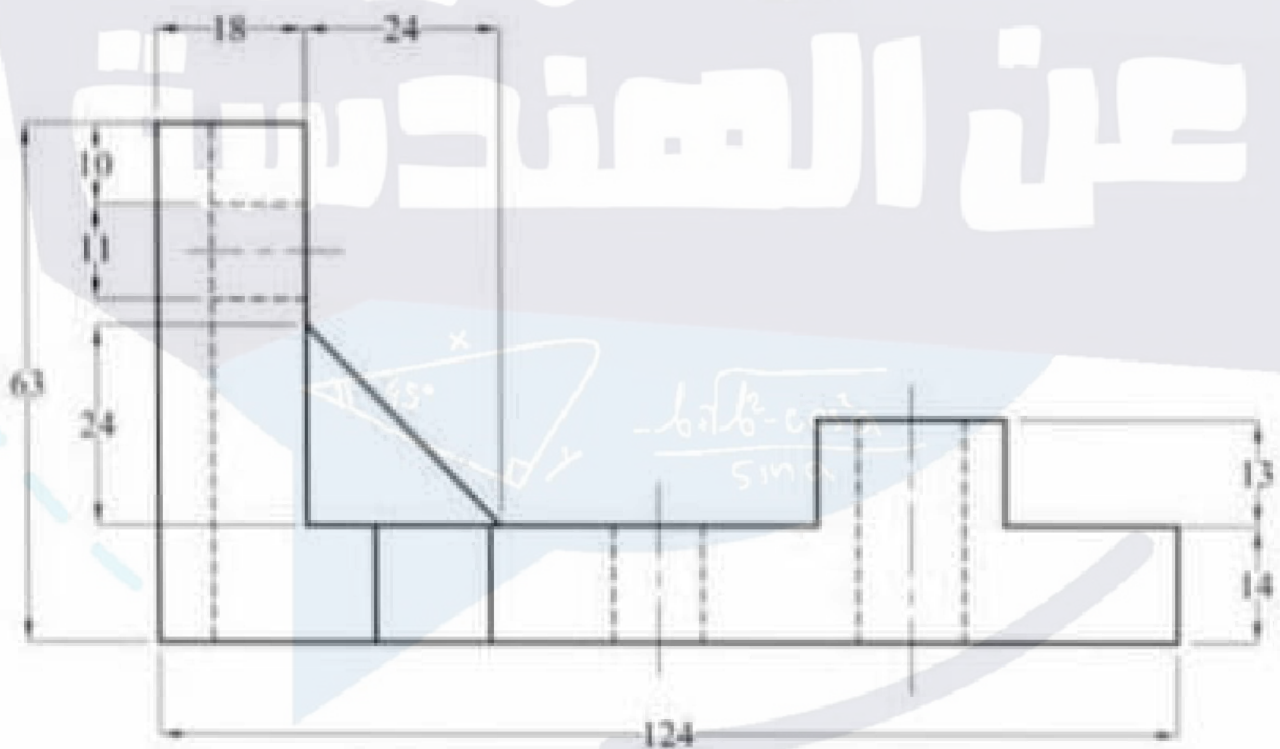
$$\frac{b^2 - c^2 - \cos a}{\sin a}$$

Problem (2): For the given views, construct the pictorial 3D-Solid.

(10Points)



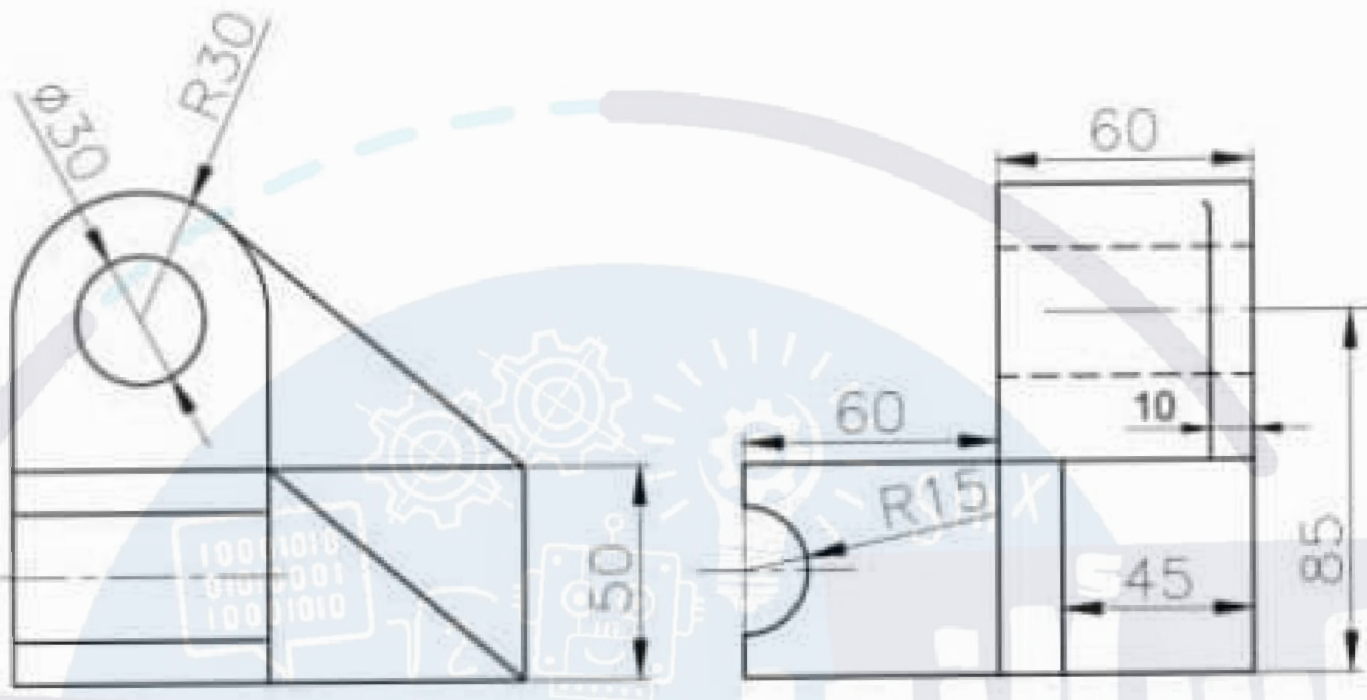
Top View



Front View

Problem (2): For the given views, construct the pictorial 3D-Solid.

(10Points)



2020

Front View

Right Side View

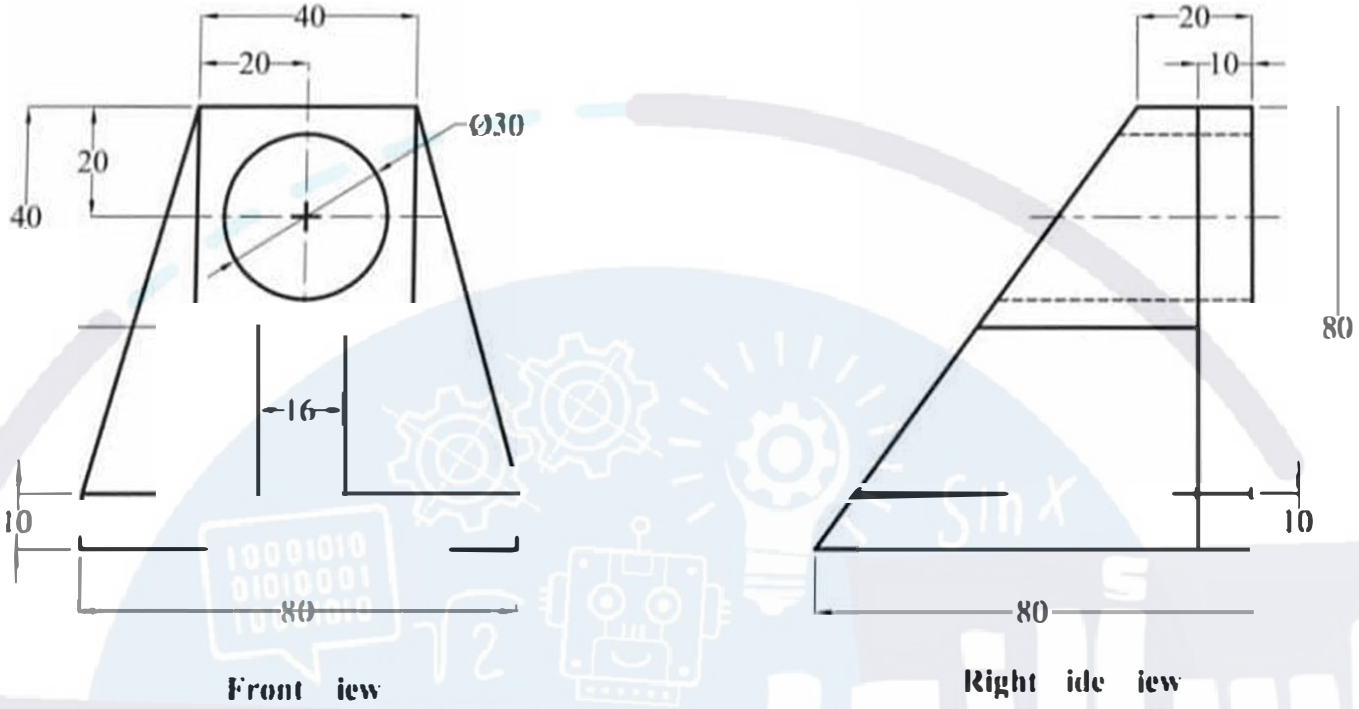
عن الهندسة



$$\frac{b^2 - c^2 - a^2}{2bc \cos A}$$

Problem (2): For the given front and side views, construct the pictorial 3D-Solid.

(10 Points)



2020

سائلاني

عن الهندسة



$$\frac{b^2 - c^2 - a^2}{\sin a}$$